

ROAD BLOCKERS

HIGH SECURITY CYCLOPES

Crash-tested according to

ASTM F2656/F2656M-15, M40, P1 (-1,7m)
IWA 14-1, Blocker V/7200[N2B]/64/90:12,1



RELIABLE, PRACTICAL AND COST-EFFECTIVE SOLUTION TO
PROVIDE 100% SECURITY OF YOUR TERRITORY

High security Cyclopes designated for providing pedestrian friendly vehicle access control to protected perimeter. Being certified according to ASTM F2656/F2656M-15, M40, P1(-1,7) & IWA14-1, BlockerV/7200[N2B]/64/90:12.1 standards, this modification ensures anti terrorist defense of site. In contrast to bollards, TISO road blocker requires shallow mounting installation depth. This motorized platform has hydraulic drive and has been engineered to keep high intensity operation mode. Wide range of optional configurations enables it to be widely applicable security solution for variety of projects.

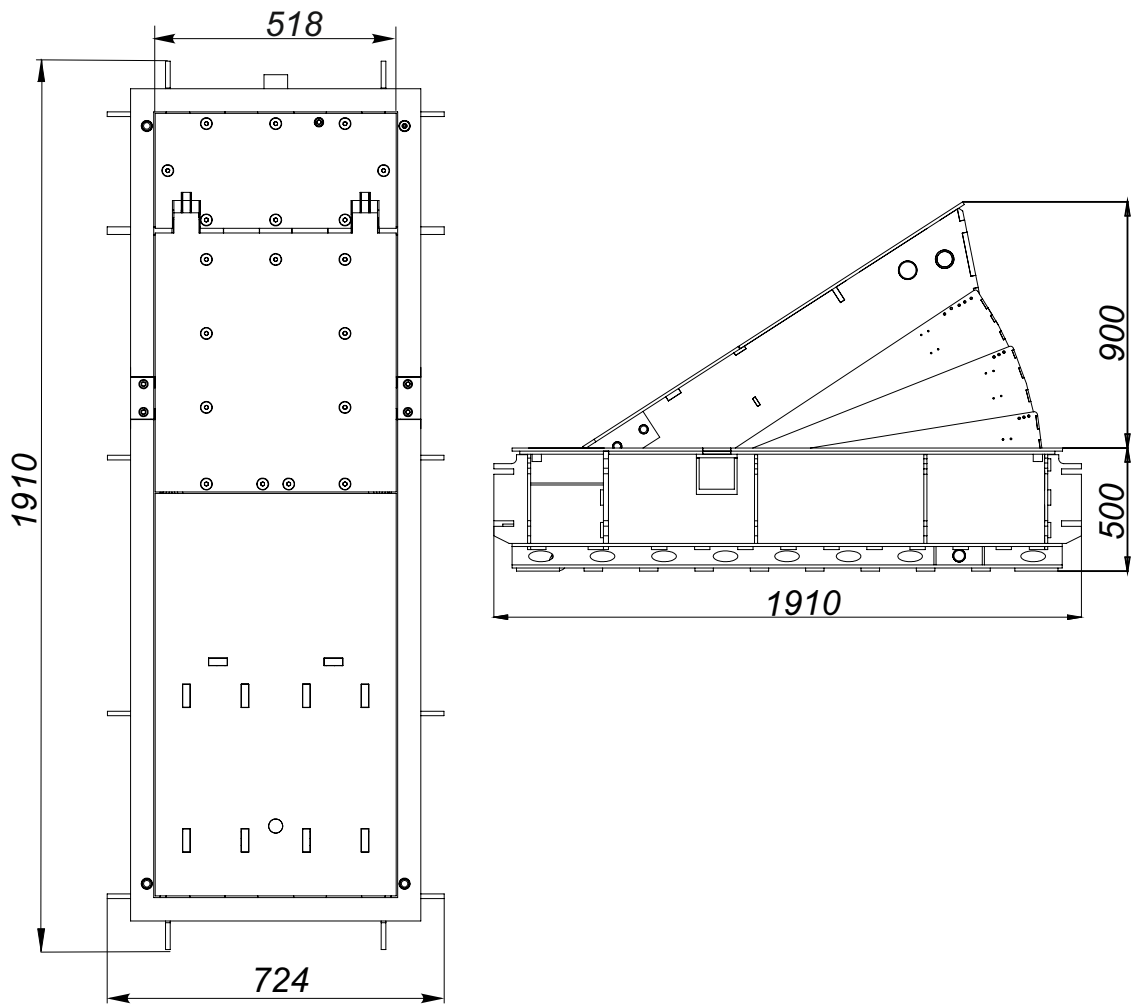
Installation areas

- Governmental Institutions
- Military Bases
- Nuclear Power Plants
- Production sites (Industrial Plants)
- Commercial areas
- Financial institutions
- Airport Premises
- Business (Office) Center
- Hotels
- Sport Complexes
- Recreation areas
- Urban areas
- Education Institutions



www.tiso.global
+380 (44) 291-21-11
e-mail: sales@tiso.global





TECHNICAL SPECS:

Model	RB320-02
Installation type	Shallow mounted
Drive	Hydraulic
Width, mm	518
Height, mm	900
Foundation case dimensions, mm	1910x724x500
Impact resistance, kJ	1181
Load per axle, t	15
Rising time, sec	3,5
Lowering time, sec	2
Operating temperature*, °C	-40/+60
Power supply	3 phase 400 V, 50/60 Hz
Protection level	IP 67 for Road blocker IP 54 for control box
Materials	Structural steel C22 (powder coated)

*for temperatures lower than -10 °C use the heating device
for temperatures higher than +40 °C use the cooler device



Contracting Client:
TISO PRODUCTION; LTD.
72; Yamska str.
03150 Kyiv
Ukraine

Certificate
of passed Barrier Testing Programme



Type of Product:	Road Blocker Cyclope „AUIA - 320-02“
Test Standard:	ASTM F2656/F2656M-15 IWA 14-1:2013
Test Standard Classification:	ASTM: C740 IWA: N2B-64km/h
Test Date:	September 12, 2016
Vehicle Restrained:	yes
Vehicle Immobilized:	yes
Test Vehicle Kinetic Energy at Impact:	1181 kJ
Penetration Rating ASTM:	P1 (-1.7 m)
Performance Rating IWA:	Blocker V/7200[N2B]/64/90:-0.2
Underlying CTS-Test Report No.:	11523_2811_18476

Sincerely

 Amelunxenstraße 30 48167 Münster, Germany
 Dipl.-Ing. Peter Schirmelpfennig
 (Managing Partner)

December 5, 2017

Amelunxenstraße 30, 48167 Münster, Germany

www.crashtest-service.com



www.tiso.global
+380 (44) 291-21-11
e-mail: sales@tiso.global

